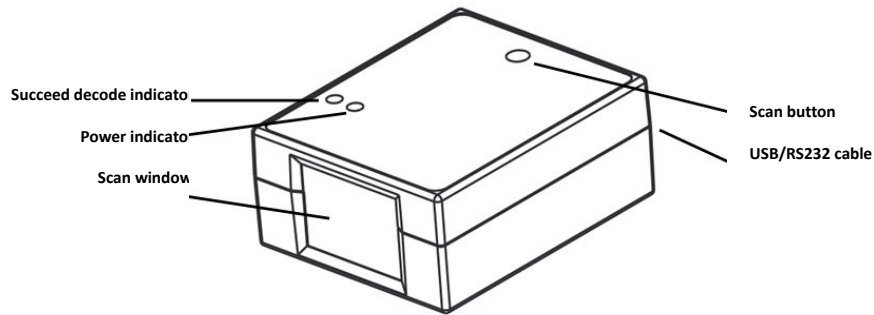
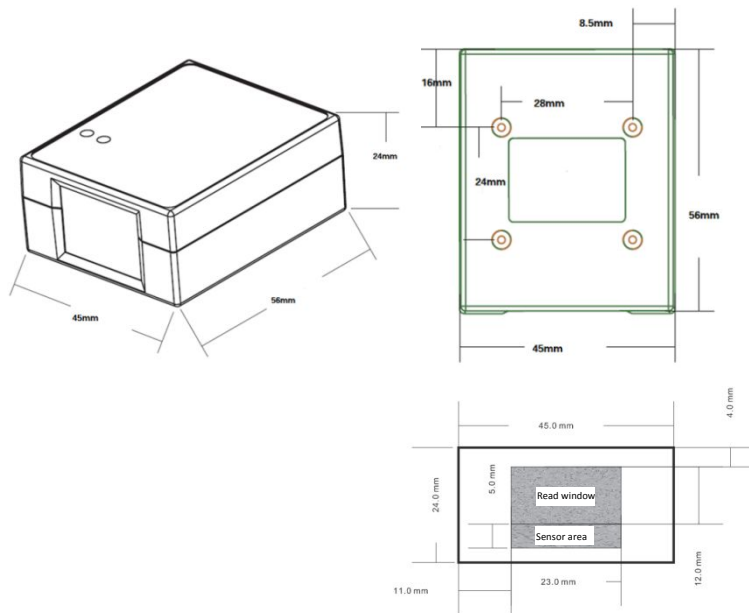


## RT220 Quick User Guide

### Outlook



### Dimension and Fix position:



### Attention:

- RTscan technology Limited all rights reserved, hardware/software (includes firmware)
- The material in this manual is subject to change without notice.
- RTscan reserves the right to make changes and improvements to any software or product for reliability, function, or design.

### Interface

USB HID-KBW、USB Virtual Com、RS232

### How to Use:

If you got the RT220 with USB interface, the default setting is USB HID-KBW, its plug and play, connect the scanner with your computer and run whatever software, then run the scan. But if you want the scanner work under USB Virtual Com, please refer to the *RT220-Guide for driver install.pdf*

#### 1、Work by **button mode** (default mode):

Press the scan button to run the decoding:



#### 2、Automatically detect and read:

When under the Sensing mode: the RT220 will detect and decode the bar code automatically.

#### 3、Setting of RT220

Run the *Configuration Tool.exe* (connect the tool with RT220 is **not** necessary) and choose the setting option from the left side column and then double click it to generate a setting code on the right area, scan the setting code from your PC screen, then the setting will be active immediately.

#### Tip: Multi-function batch setting

You can merge lots of setting codes into one PDF417 code by the "Merge setting code" function in the configuration tool, scan this code is equal to scan all of those setting codes.

#### 4、Work by command :

The host (your system) send command to RT220 to control its work, the command is sent in hex, the frequently used commands listed as below:

Function	Command code	Return value
Begin decode	0x32 0x75 0x01	03 <length(2 byte)><decoded data>
Stop decode	0x32 0x75 0x02	00
Recover factory default	0x32 0x76 0x01	00
Button mode	0x21 0x61 0x41 0x00	0x22 0x61 0x41 0x00 0x01
Sensing mode	0x21 0x61 0x41 0x03	0x22 0x61 0x41 0x03 0x01

**Example :** you can build a "scan" button of your software interface with the command 0x32 0x75 0x01, then when user clicks the "scan" button, the RT220 begin to read.

✧ *For more detailed user guide, please read the [RT220 Configuration tool user guide.pdf](#), which also includes the list of all factory default setting in the [section G. Factory default Setting](#).*

✧ *For all of related documents above, please download from the link provided by RTscan.*